



Product Specification

Model: GT-10391BH-B

Description: **0.39 " 1-Digital LED Display**

Super bright Red

Good Take International Ltd.

深圳市可得工贸有限公司

Checked

H_r

Authorized

PIN CONNECTION

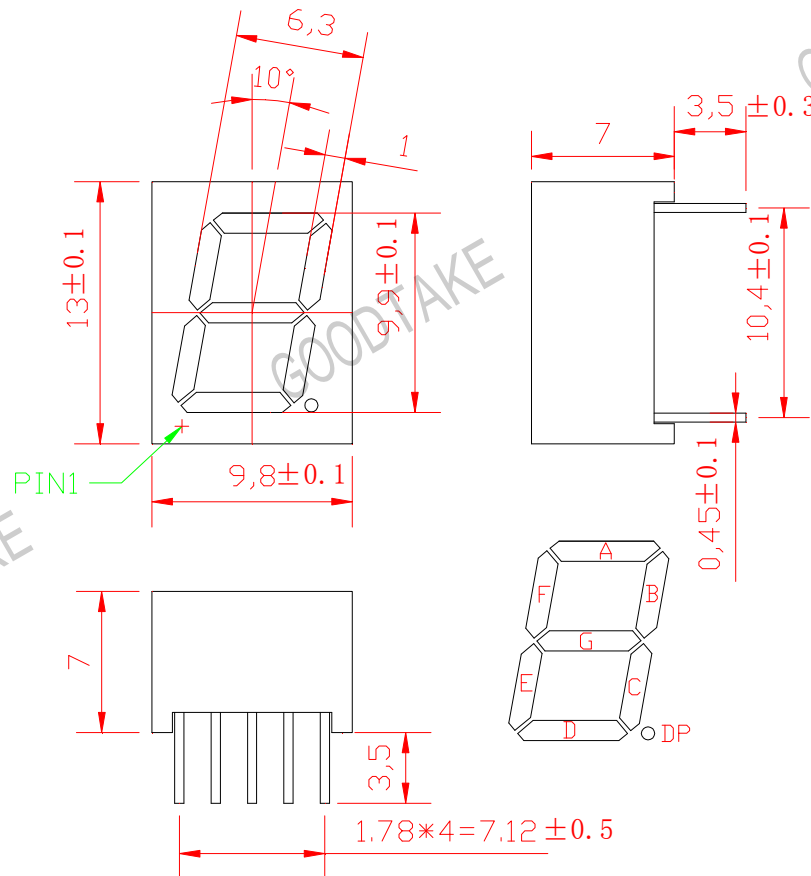
NO	CONNECTION
1	Control Pin – Cathode E
2	Control Pin – Cathode D
3	Common - Anode DIG,DP
4	Control Pin – Cathode C
5	Control Pin – Cathode DP
6	Control Pin – Cathode B
7	Control Pin – Cathode A
8	Common - Anode DIG ,DP
9	Control Pin – Cathode F
10	Control Pin – Cathode G

GT-10391BH-B

1. Features

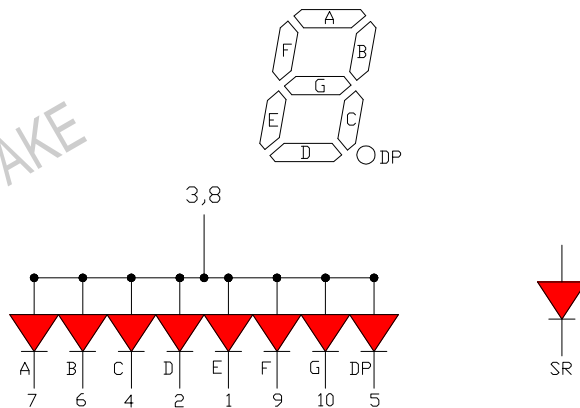
- High brightness & High reliability
- Low power consumption
- Display Encapsulation mode: Epoxy-filled, black surface & White diffused segments
- LED color : Super bright RED
- High stability
- I.C. Consistency

2. Outline dimensions:



NOTE: All dimensio

3. Internal Schematic drawings



GT-10391BH-B

4. Absolute Max Ratings Temp=25°C

Parameter	Red	Green	Yellow	Unit
Power/ Each segment	50			mw
Peak current / Each segment *(1/10S、10KHZ)	80			mA
Forward current / Each segment **	25			mA
Reverse voltage/ Each segment	5			V
Operating Temperature	-30~80			°C
Storage Temperature	-35~85			°C
Soldering Temperature	260°C			
Copper pad >1.6mm, max time < 5 seconds				

NOTE: ** Suggestions forward current : 15mA

5. Photoelectric parameter Temp =25°C

Item	Symbol	Condition	Rated value			Unit	
			min	typ	max		
Light intensity	Iv	Red	IF=20mA	10		20	mcd
		Green					
		Yellow					
Peak wavelength	λP	Red	IF=20mA	635		645	nm
		Green					
		Yellow					
Forward voltage/ per Each segment	VF	Red	IF=20mA	1.7		2.2	V
		Green					
		Yellow					
Reverse current per Each segment	IR	Red	VR=5V			50	μA
		Green					
		Yellow					

6. Special note:

- When in use, never exceed the maximum parameter listed in the specification.
- LEDs are ESD sensitive device, please follow the anti-static rules.
- Considering the design, safety rule should apply to the factors of heat, to avoid too high temperature
- Do not use organic solvent for cleaning, to avoid damage to the package of the product.